



---

PATIENT & CAREGIVER EDUCATION

# About Your PET-CT with Dotatate

This information will help you get ready for your positron emission tomography (PET) computed tomography (CT) scan with Dotatate tracer at MSK.

## About your PET-CT with Dotatate tracer

A PET-CT scan is an imaging procedure that is used to:

- Find cancer cells.
- Plan your treatment.
- See how your treatment is working.

You'll have a CT scan with a low dose of radiation at the same time as your PET scan. CT scans take a fast series of x-ray pictures. The x-ray pictures are combined with your PET scan to create pictures of your soft tissues and bones.



You may also be scheduled for a diagnostic CT at the same time as your PET-CT. A diagnostic CT lets your healthcare provider learn more about your tissues, bones, and blood vessels. Ask your healthcare provider for the resource *Computed Tomography (CT) Scan* ([www.mskcc.org/pe/ct\\_scan](http://www.mskcc.org/pe/ct_scan)) to help you get ready.

## **Tracer**

Before your PET-CT, you'll get a radioactive medication called a tracer. The tracer is attached to a substance that your cells and tissues use. Cancer cells use the substance differently than non-cancer cells. The radioactive part of the tracer lets your healthcare provider see how your cells are using the substance. This helps them find any usage that is not normal.

Your PET-CT will use Dotatate as the tracer. You will get the tracer through a catheter (thin, flexible tube). The catheter may be an intravenous (IV) line in your arm, hand, or central venous catheter (CVC), if you have one.

The tracer is used by your cells and doesn't stay in your body long. It leaves your body mainly through your urine.

## **Oral contrast**

You will get oral contrast to drink before your scan. You'll be asked if you're allergic to iodinated contrast when you check in for your appointment. You'll get one of the following oral contrast solutions:

- Iodinated contrast (contrast with iodine).
- Diluted barium sweetened with saccharin.

Both types of contrast work the same way and are used for the same purpose. Both are safe if you have diabetes.

You'll need to start drinking the oral contrast 45 to 60 minutes before your PET-CT. This will give the contrast solution time to move through your body.

# Getting ready for your PET-CT with Dotatate tracer

## Breastfeeding and pregnancy

Tell your healthcare provider if you're pregnant or breastfeeding. This will help them plan your care. If you're breastfeeding, you'll need to stop for 4 hours after your scan. Read the "Instructions for people who are breastfeeding" section of this resource to learn more.

## Take devices off your skin

You may wear certain devices on your skin. Before your scan or procedure, device makers recommend you take off your:

- Continuous glucose monitor (CGM)
- Insulin pump

Talk with your healthcare provider about scheduling your appointment closer to the date you need to change your device. Make sure you have an extra device with you to put on after your scan or procedure.

You may not be sure how to manage your glucose while your device is off. If so, before your appointment, talk with the healthcare provider who manages your diabetes care.

## What to do the day before your PET-CT with Dotatate tracer

If you're getting anesthesia, read the "For people getting anesthesia" section at the end of this resource.

# **What to do the day of your PET-CT with Dotatate tracer**

## **What to expect when you arrive**

Many staff members will ask you to say and spell your name and birth date. This is for your safety. People with the same or similar names may be having a procedure on the same day. Once you're in the department, you'll fill out a brief questionnaire.

Your care team will inject the tracer into your vein. You'll wait about 60 minutes for your body to absorb the tracer. How long this takes will depend on the area of your body being scanned. You will also get contrast to drink at this time.

Try to relax and limit your movement during this time. You can sleep, read, listen to music, or watch videos while you're waiting. Ask for a blanket if you feel cold.

Your care team will ask you to urinate (pee) just before your scan.

## **During your PET-CT with Dotatate tracer**

When it's time for your scan, your technologist will bring you to the scanning room. They will help you onto the scanning table. The machine looks like a large doughnut with a hole in the middle (see figure 1). This is the scanning ring (scanner). The scanner is about 3 feet (1 meter) deep.

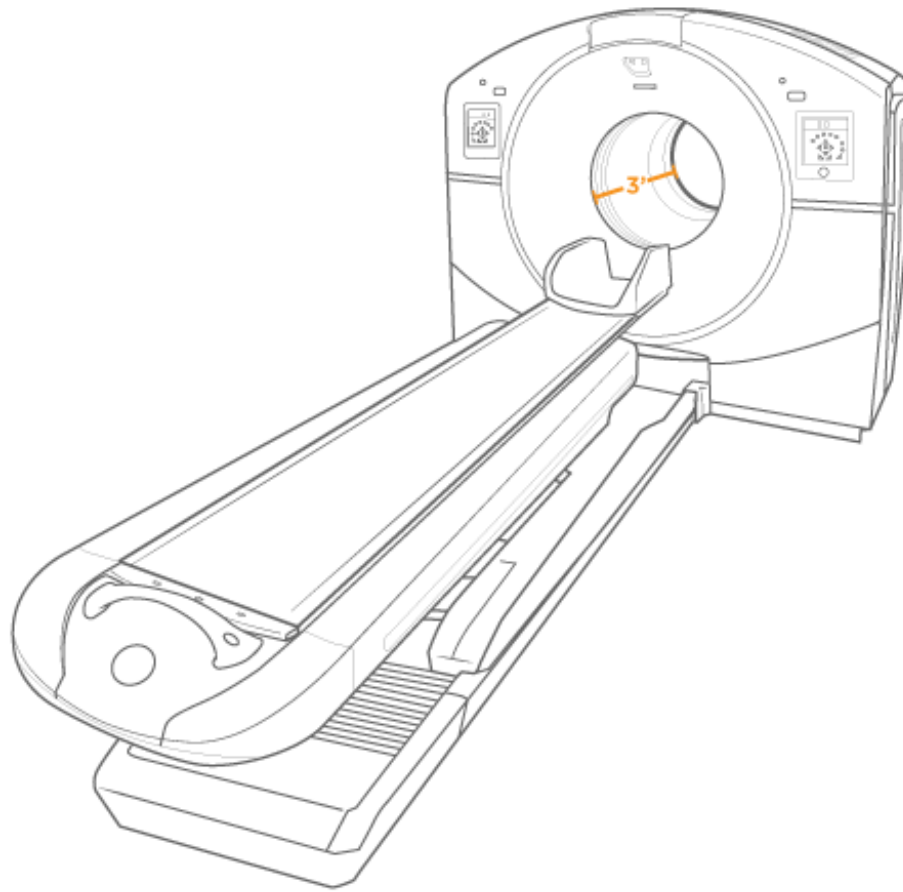


Figure 1. PET-CT machine

Once you're on the scanning table, the table will move slowly through the scanning ring. You must lie very still until your scan is done. This can take 30 to 45 minutes, depending on the type of scan you're having.

If you're also scheduled for a diagnostic CT scan, you'll get a contrast infusion through your IV or CVC. An infusion is when medication is slowly put into your bloodstream. This will happen after your technologist takes the first series of pictures. To learn more, read *Computed Tomography (CT) Scan* ([www.mskcc.org/pe/ct\\_scan](http://www.mskcc.org/pe/ct_scan)).

## **What to do after your PET-CT with Dotatate tracer**

You may leave as soon as your scan is done, unless you have other tests or procedures scheduled. You'll get a card stating that you had a test done with a radioactive tracer and your test date. Keep this card with you because

some security equipment can find radioactivity until it leaves your body. This should take less than a day.

It is safe to be around other people, including pregnant people and children. You can spend time near others, and can kiss, hug, hold, and touch them.

Remember to stay hydrated after your scan. Drink water and other fluids throughout the rest of the day to help remove the tracer from your body. You can go back to your normal diet right away, unless you're given other instructions.

## **Instructions for people who are breastfeeding**

Stop breastfeeding for 4 hours after your scan. For the time that breastfeeding is interrupted, a mother can still express (pump) milk. She can then either throw away the pumped milk or store it for the same amount of time that breastfeeding is paused before giving it to the baby. During this time, the mother can feed the baby with previously expressed milk or formula.

## **Your PET-CT results**

A radiologist will read your scan and send your results to your doctor. If your PET-CT was done to find cancer cells, your doctor should have your results in 2 business days. Ask your doctor how they will share your results with you. If your PET-CT was done to plan your treatment, your doctor will use the images to plan your care.

# For people getting anesthesia

If you are getting anesthesia (medication to make you sleepy) during your PET-CT, follow these instructions.

## What to do the day before your PET-CT

### Arrange for someone to take you home

You must have a responsible care partner take you home after your procedure. A responsible care partner is someone who can help you get home safely. They should be able to contact your care team if they have any concerns. Make sure to plan this before the day of your procedure.

If you don't have a responsible care partner to take you home, call one of the agencies below. They'll send someone to go home with you. There's a charge for this service, and you'll need to provide transportation. It's OK to use a taxi or car service, but you still need a responsible care partner with you.

#### Agencies in New York

VNS Health: 888-735-8913

Caring People: 877-227-4649

#### Agencies in New Jersey

Caring People: 877-227-4649

## Instructions for eating



**Stop eating at midnight (12 a.m.) the night before your surgery.** This includes hard candy and gum.

If your healthcare provider told you to stop eating earlier than midnight, follow their instructions. Some people need to fast (not eat) for longer before their surgery.



# What to do the day of your PET-CT

## Instructions for drinking

Between midnight (12 a.m.) and 2 hours before your arrival time, only drink the liquids on the list below. Do not eat or drink anything else. Stop drinking 2 hours before your arrival time.

- Water.
- Clear apple juice, clear grape juice, or clear cranberry juice.
- Gatorade or Powerade.
- Black coffee or plain tea. It's OK to add sugar. Do not add anything else.
  - Do not add any amount of any type of milk or creamer. This includes plant-based milks and creamers.
  - Do not add honey.
  - Do not add flavored syrup.

If you have diabetes, pay attention to the amount of sugar in these drinks. It will be easier to control your blood sugar levels if you include sugar-free, low-sugar, or no added sugar versions of these drinks.

It's helpful to stay hydrated before surgery, so drink if you are thirsty. Do not drink more than you need. You will get intravenous (IV) fluids during your surgery.



**Stop drinking 2 hours before your arrival time.** This includes water.

# Contact information

If you have any questions or concerns, call the Molecular Imaging and Therapy Service (MITS, or the Nuclear Medicine service) at 212-639-6652. You can reach a staff member Monday through Friday from 9 a.m. to 5 p.m. After 5 p.m., during the weekend, and on holidays, call 212-639-2000.

For more resources, visit [www.mskcc.org/pe](http://www.mskcc.org/pe) to search our virtual library.

---

About Your PET-CT with Dotatate - Last updated on March 7, 2024

All rights owned and reserved by Memorial Sloan Kettering Cancer Center